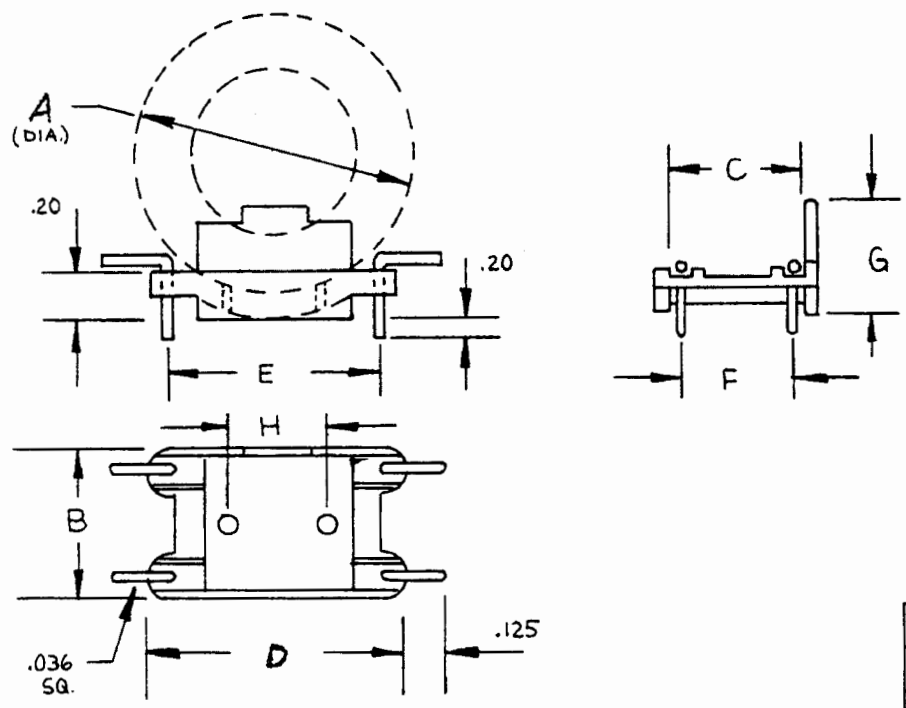


1.00 Diameter Vertical Toroid Mount
Part # 4010-0-V0 Unpinned
Part # 4010-1-V0 Pinned



Suffix No.	Position
-00	Unpinned
-01	Pinned

Vertical Toroid Mounts

Part #	A	B	C	D	E	F	G	H
4020	1.20	.60	.51	1.00	.80	.40	.420	.400
4030	1.60	.80	.71	1.10	.90	.60	.460	.500
4040	2.54	.90	.81	1.40	1.20	.70	.600	.625
4050	2.80	1.10	1.01	1.70	1.50	.90	.715	.625