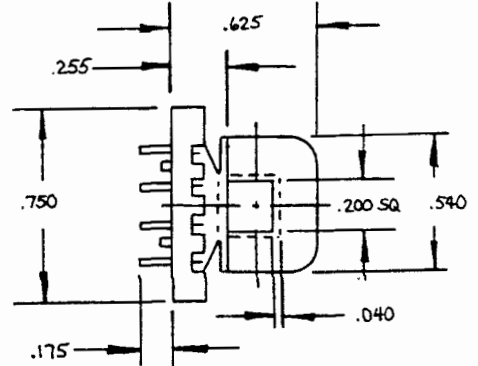
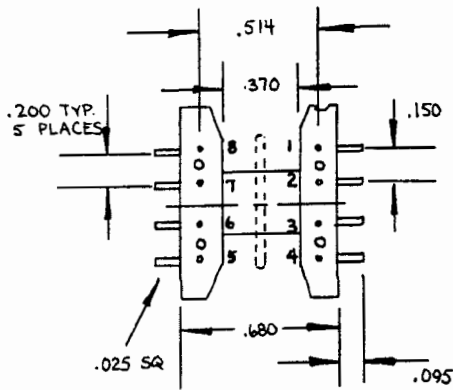


EI-187

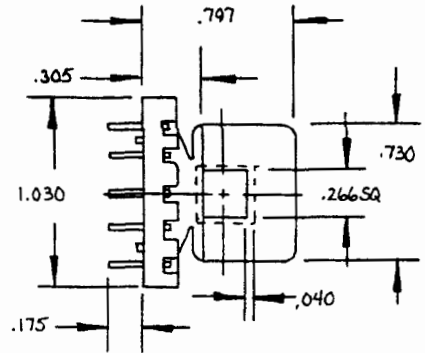
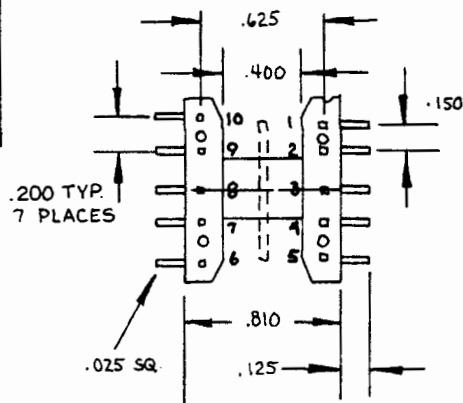
Part #	Flanges	Boss
1101	2	no
1102	2	yes
1103	3	no
1104	3	yes



Suffix No.	Position
-01	1 2 3 4 5 6 7 8
-02	1 2 4 5 8
-03	4 8

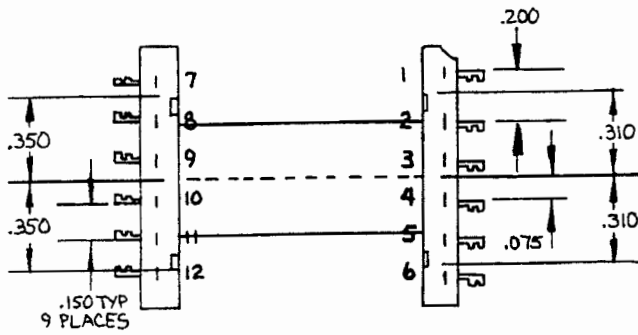
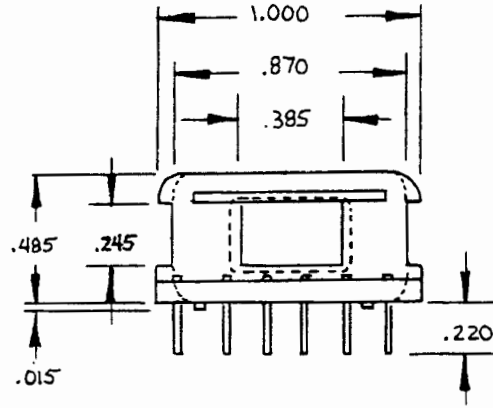
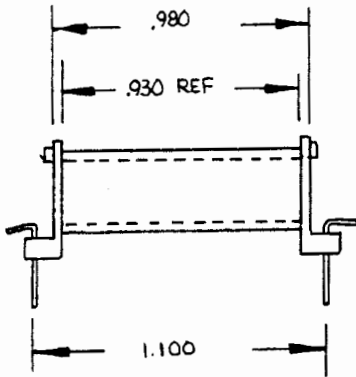
EE 24-25

Part #	Flanges	Boss
1111	2	no
1112	2	yes
1113	3	no
1114	3	yes



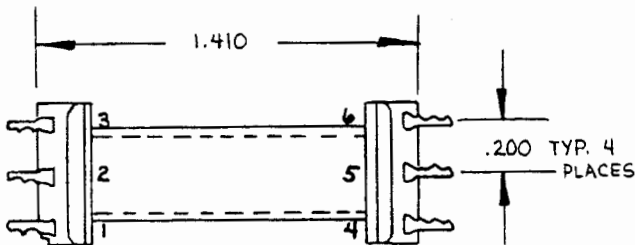
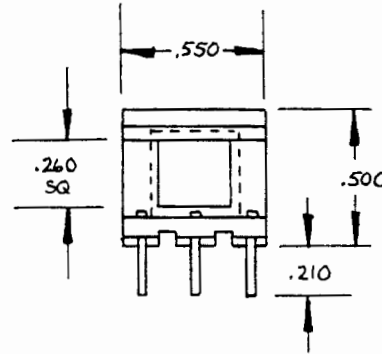
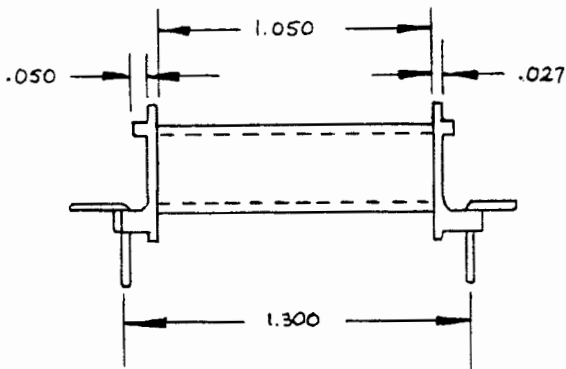
Suffix No.	Position
-01	1 2 3 4 5 6 7 8 9 10
-02	1 2 3 4 5 6 10
-03	1 5 6 10

EE-27
Part # 2101



Terminal no. 311

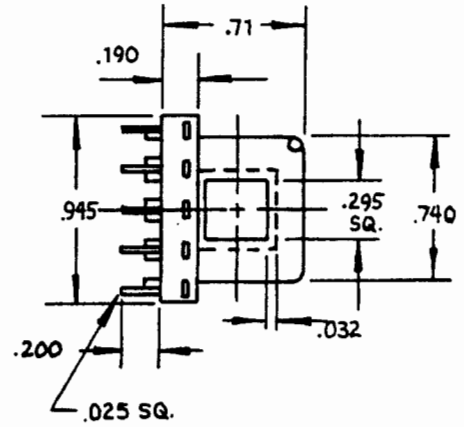
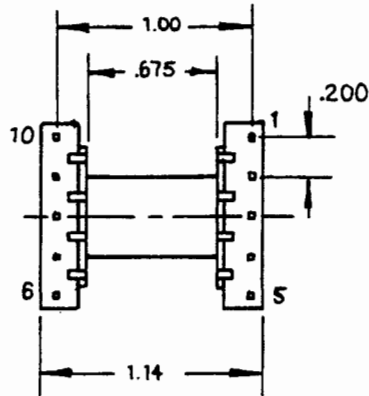
.250" U CORE
Part # 2102



Terminal no. 311

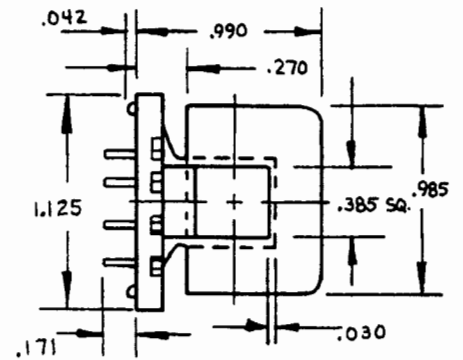
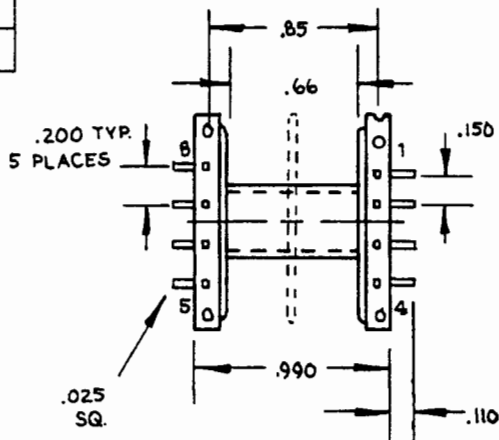
Suffix No.	Position
-01	1 2 3 4 5 6
-02	1 2 3 4 6
-03	1 3 4 6

E.270
Part # 2123

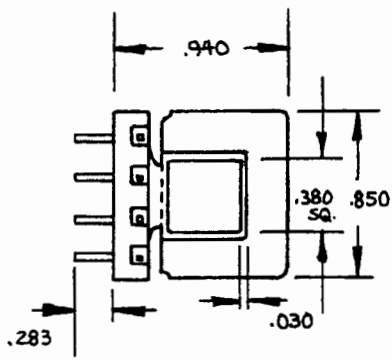
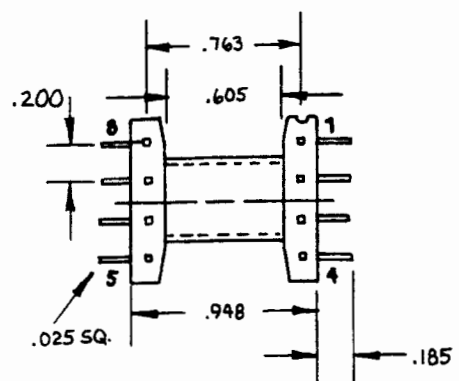


EI 375

Part #	Flanges	Boss
1121	2	no
1122	2	yes
1123	3	no
1124	3	yes



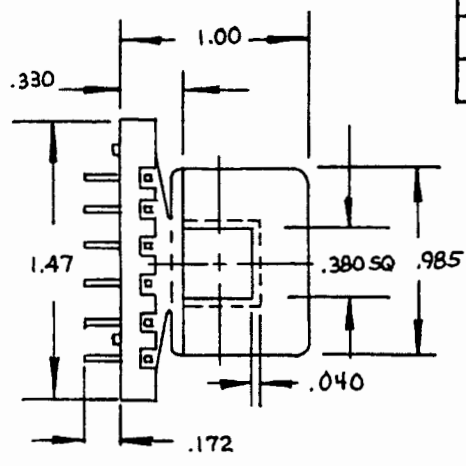
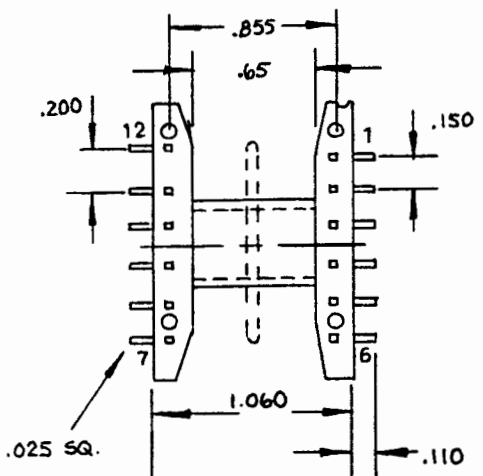
EE 26-27
Part # 1119



Suffix No.	Position
-01	1 2 3 4 5 6 7 8
-02	1 4 5 8

EI 375

Part #	Flanges	Boss
1125	2	no
1126	2	yes
1127	3	no
1128	3	yes



Suffix No.	Position
-01	1 2 3 4 5 6 7 8 9 10 11 12
-02	1 5 8 11
-03	2 5 8 11



10349 Franklin Avenue Franklin Park IL 60131

Phone: 847-671-0060

Fax: 847-671-0694

Email: tjinfo@tjassemblies.com

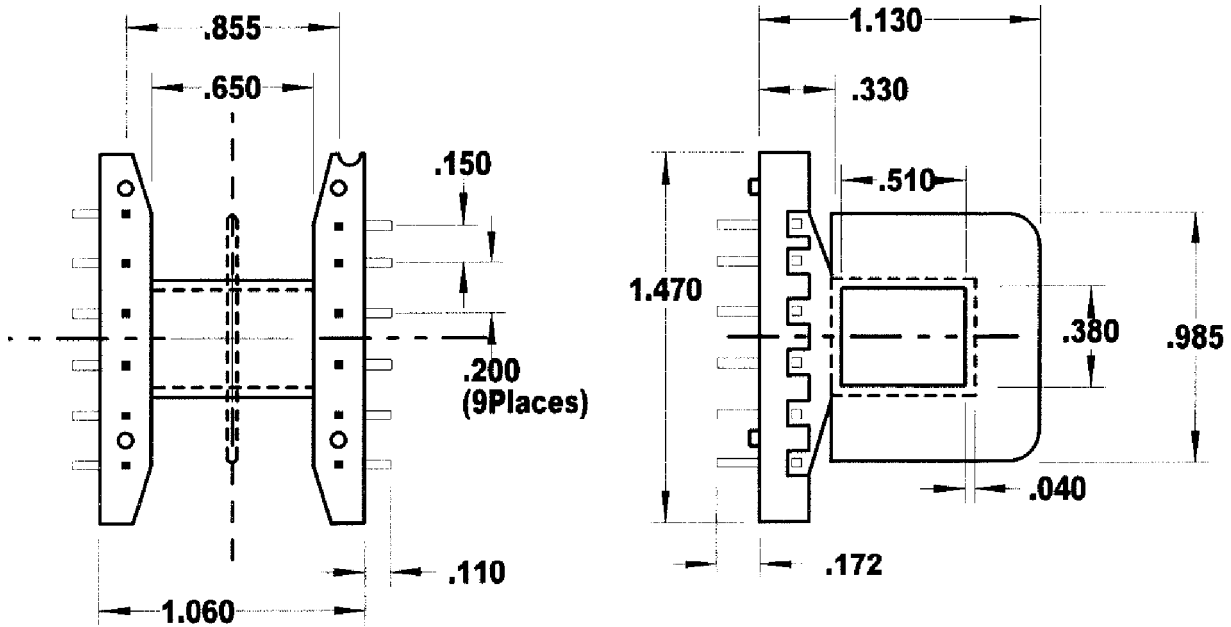
Website: www.tjassemblies.com

Part #'s: 1131
1132
1133
1134

Part # With 12 Wires	# of Sections	Stand offs
1131-01	1	No
1132-01	1	Yes
1133-01	2	No
1134-01	2	Yes

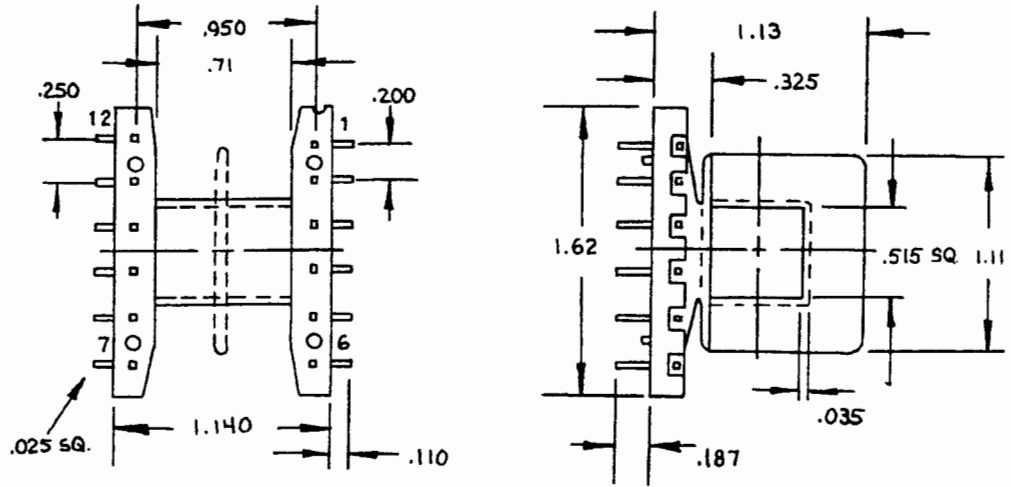
EI 375 x 1/2

Uses .025 Square Wire



EI 21

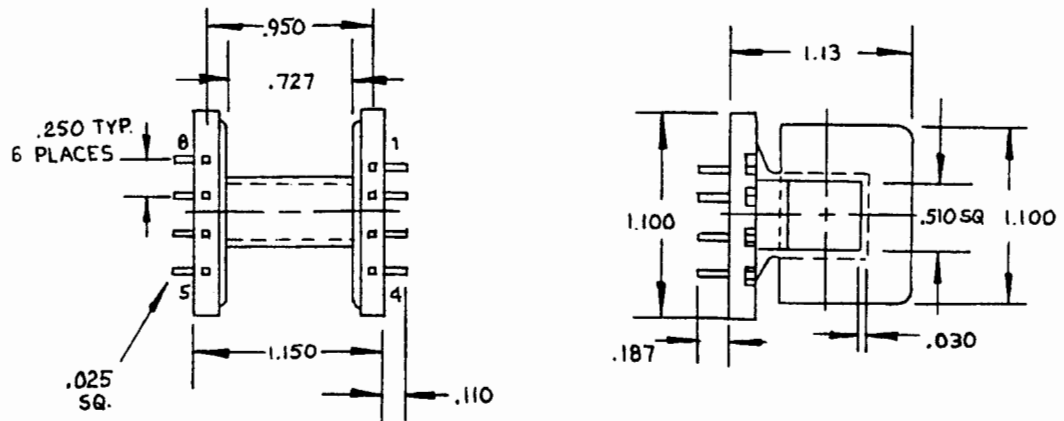
Part #	Flanges	Boss
1151	2	no
1152	2	yes
1153	3	no
1154	3	yes

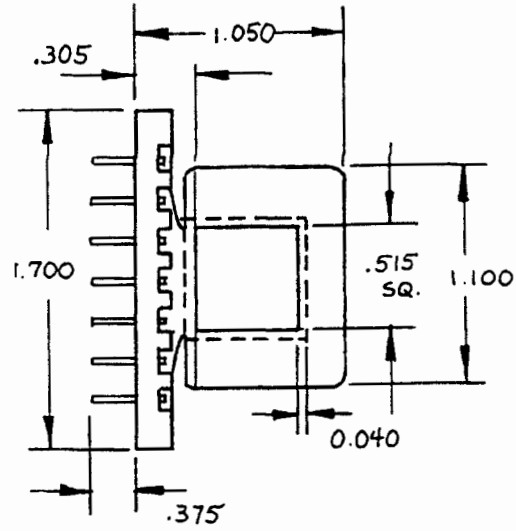
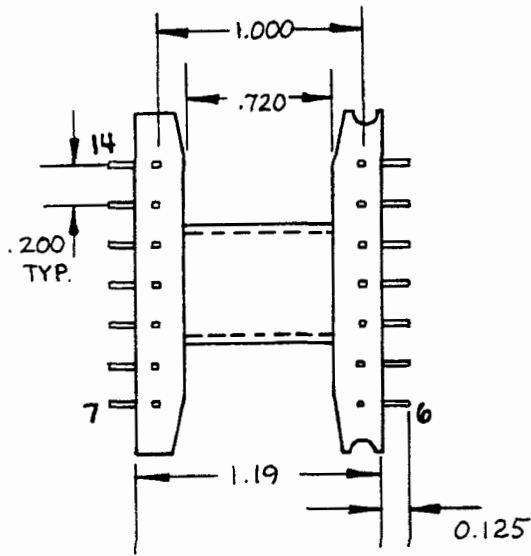


Suffix No.	Position
-01	1 2 3 4 5 6 7 8 9 10 11 12
-02	2 5 7 8 9 10 11 12
-03	1 2 3 4 5 6 7 8 9 10 12

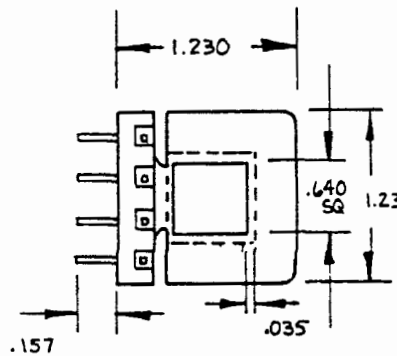
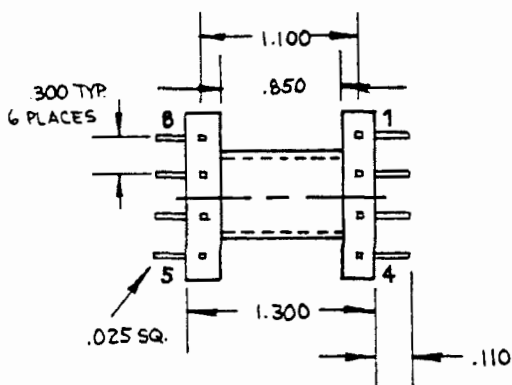
EI 21

Part # 1155



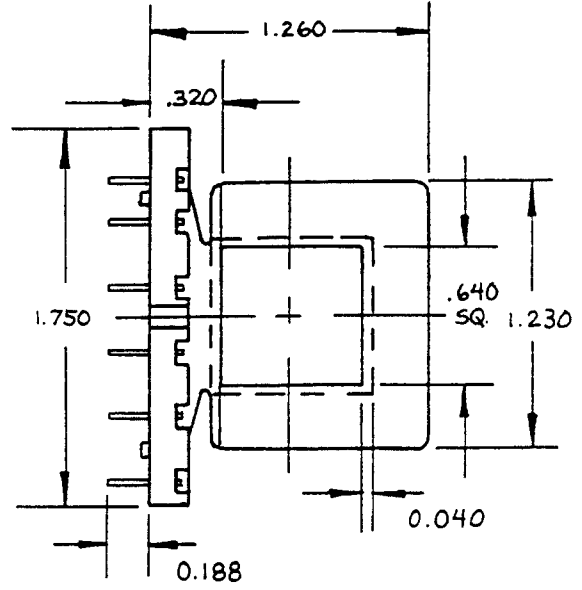
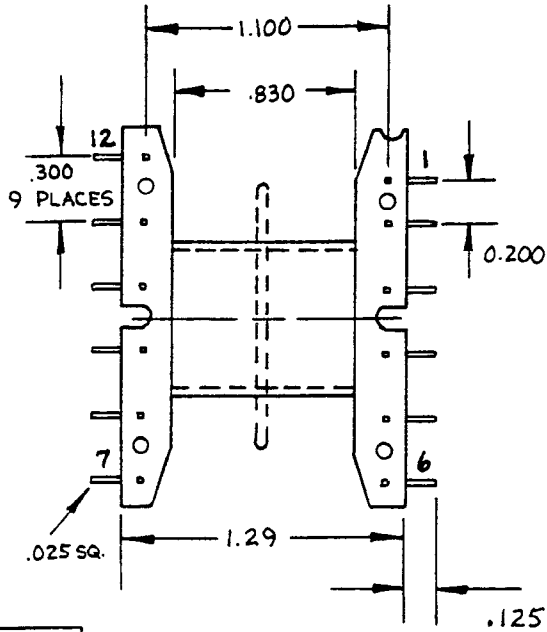


EI 21
Part # 1156



EI 625
Part # 1160

Suffix No.	Position
-01	1 2 3 4 5 6 7 8
-02	1 4 5 8

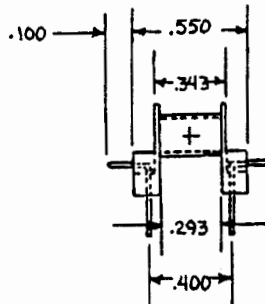
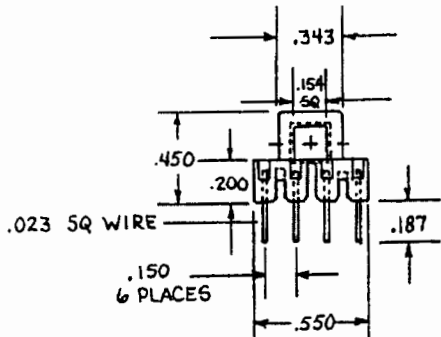


EI 625

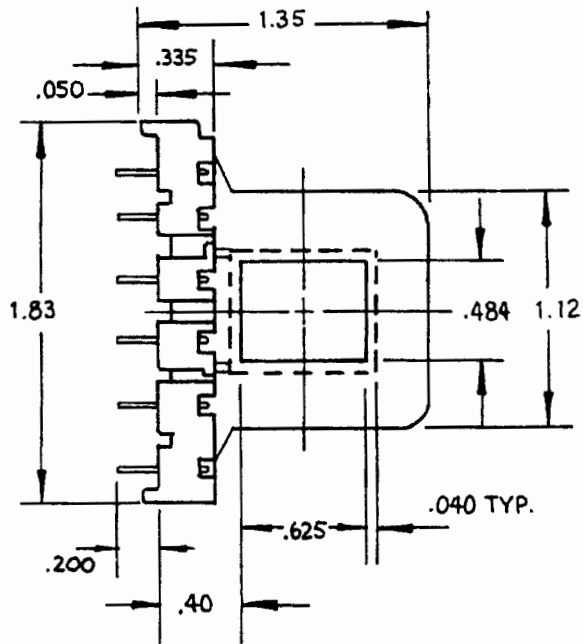
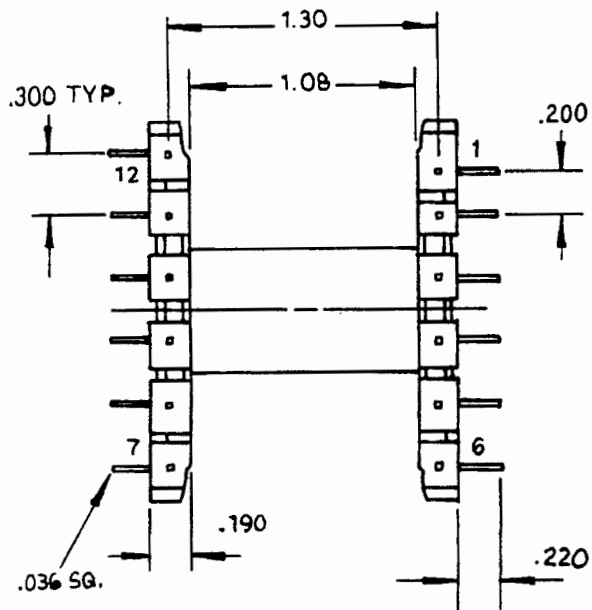
Part #	Flange	Boss
1165	2	No
1166	2	Yes
1167	3	No
1168	3	Yes

Suffix No.	Position
-01	1 2 3 4 5 6 7 8 9 10 11 12
-02	2 5 7 8 9 10 11 12
-03	1 2 3 4 5 6 7 8 9 10 12

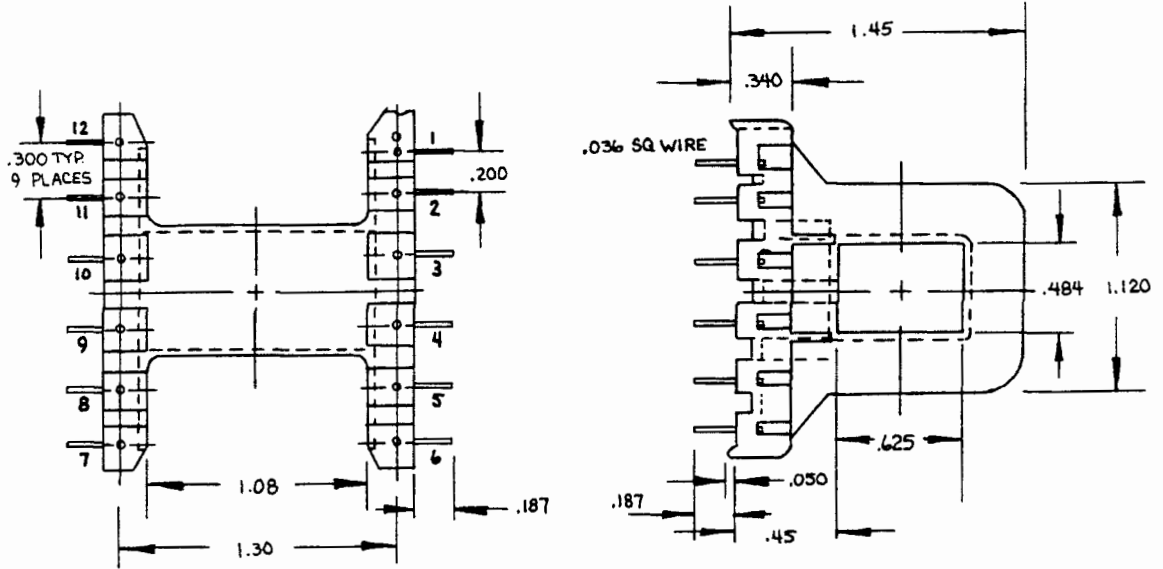
**EE 12.6
Part # 2105**



**E 42 x 15
Part # 2124**

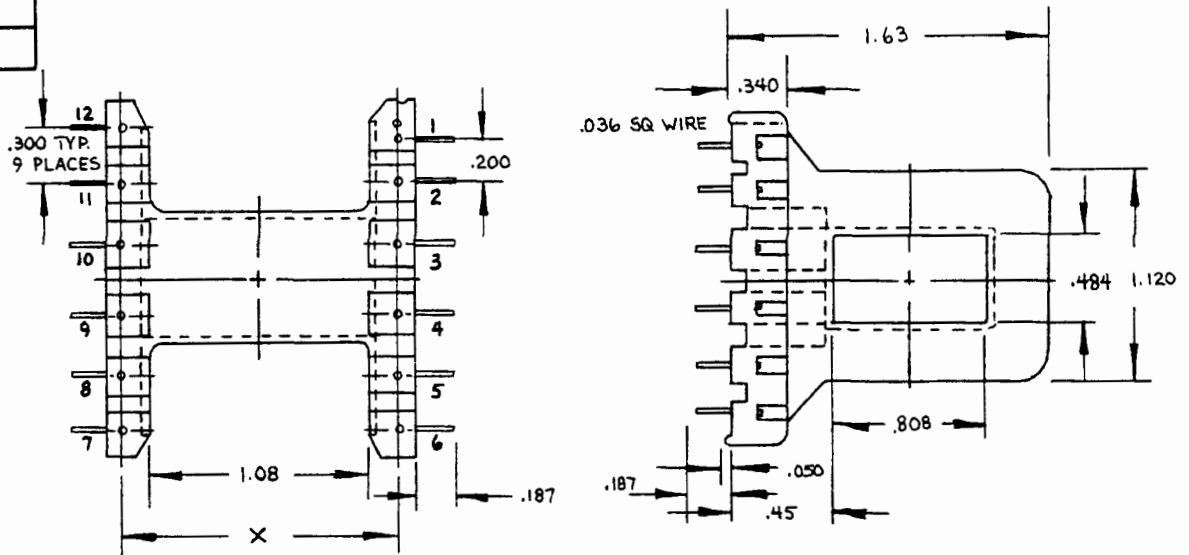


E 42 x 15
Part # 2103



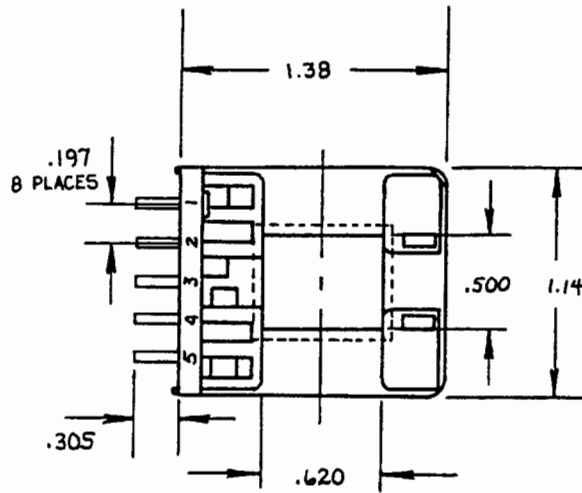
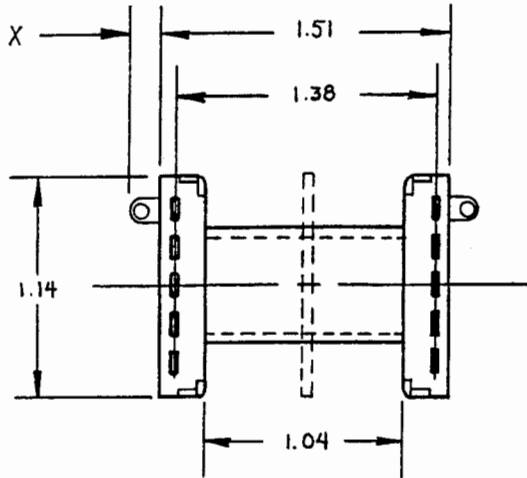
E 42 x 20


Part #	X Dim.
2104	1.30
2120	1.50



EE 42 x 15

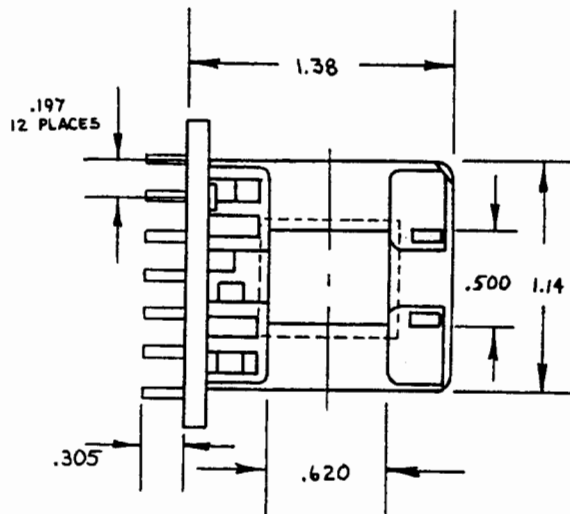
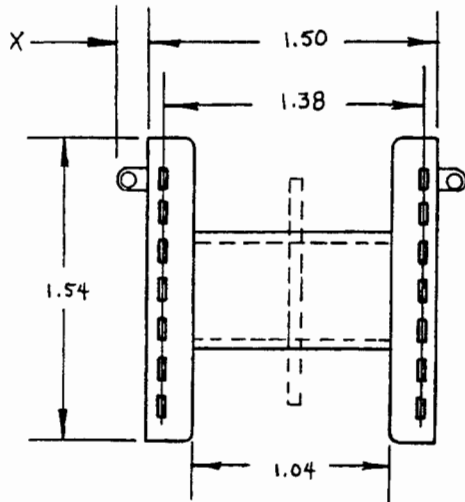
Part #	Flanges
2106	2
2107	3

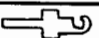


Suffix	X Dim.	Terminal
-01	1/8	As shown
-02	9/32	

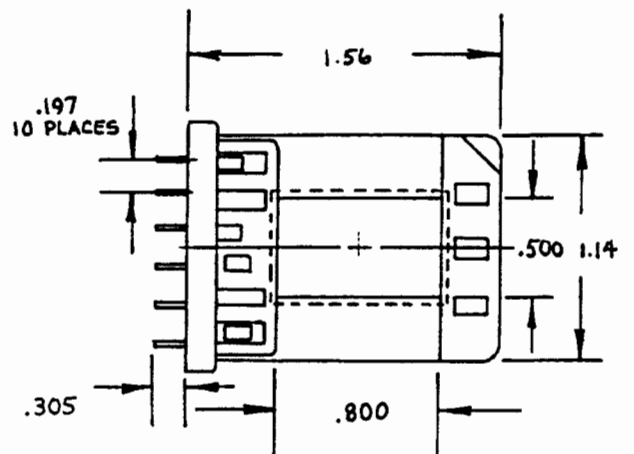
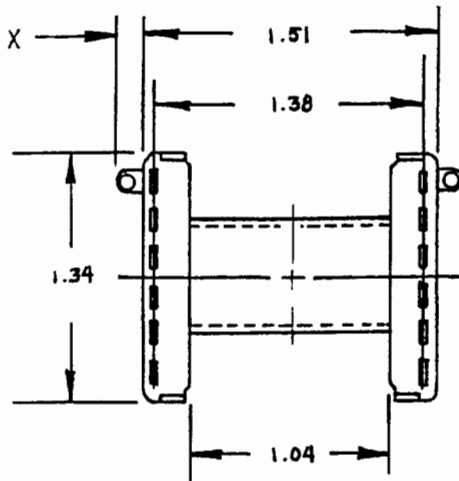
EE 42 x 15

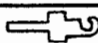
Part #	Flanges
2108	2
2109	3



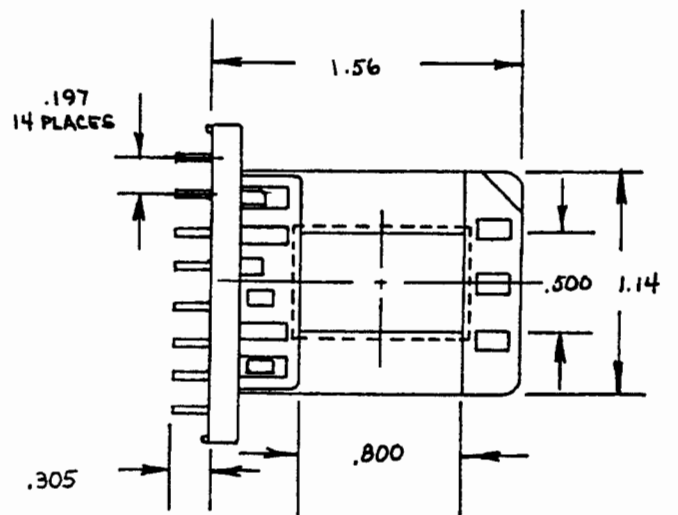
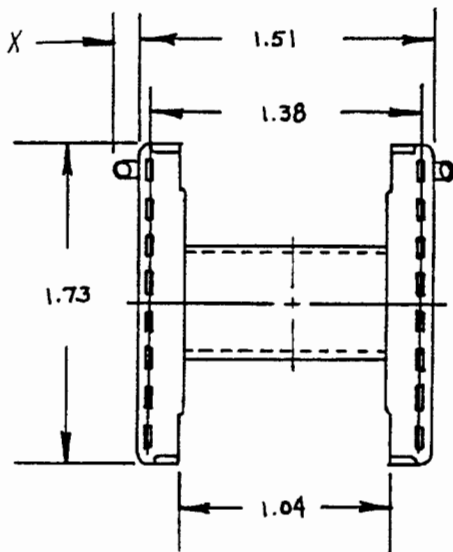
Suffix	X Dim.	Terminal
-01	1/8	As shown
-02	9/32	

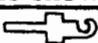
EE 42 x 20
Part # 2110

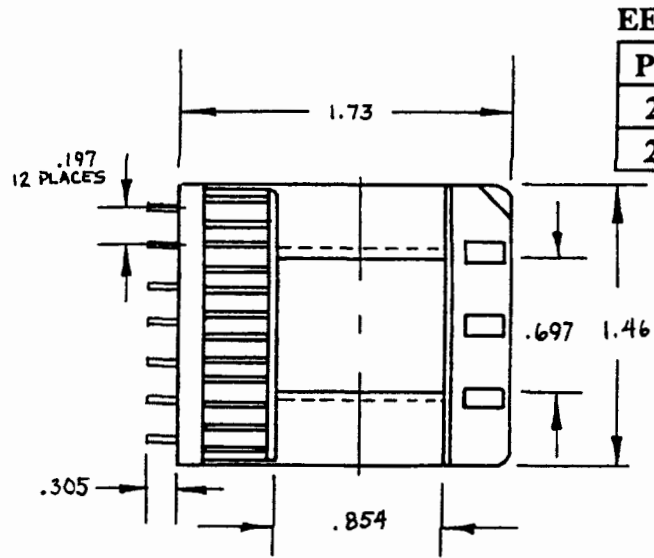
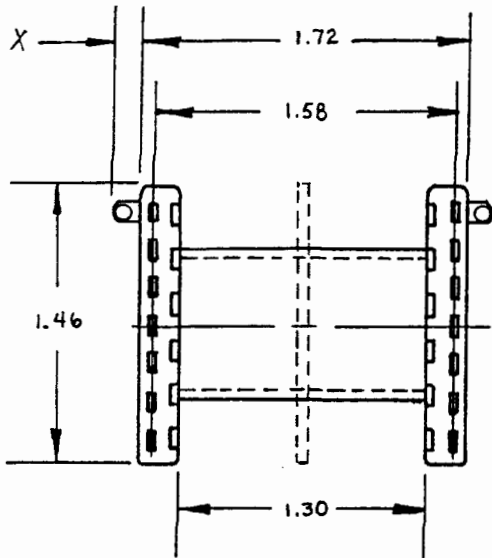


Suffix	X Dim.	Terminal
-01	1/8	As shown
-02	9/32	

EE 42 x 20
Part # 2112



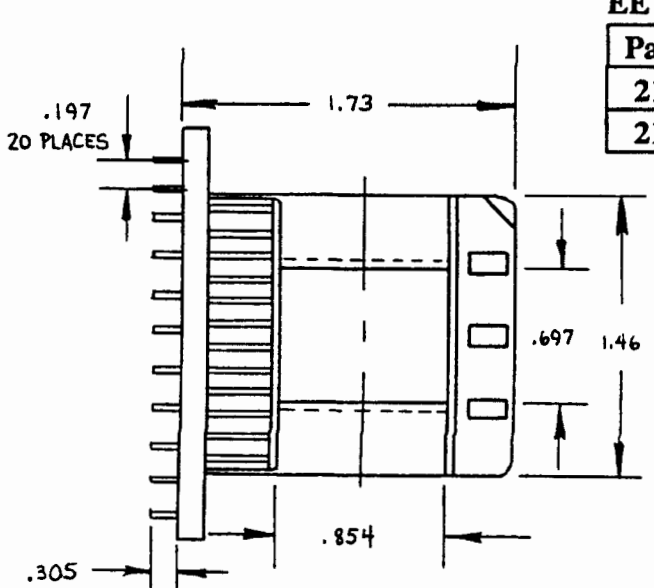
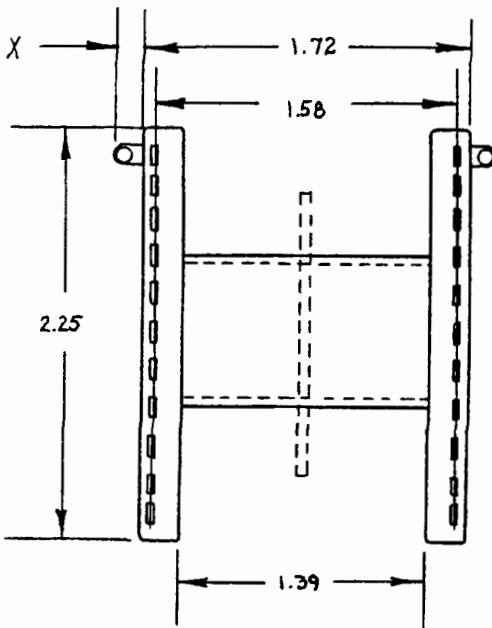
Suffix	X Dim.	Terminal
-01	1/8	As shown
-02	9/32	



EE 55 x 21

Part #	Flanges
2114	2
2115	3

Suffix	X Dim.	Terminal
-01	1/8	As shown
-02	9/32	



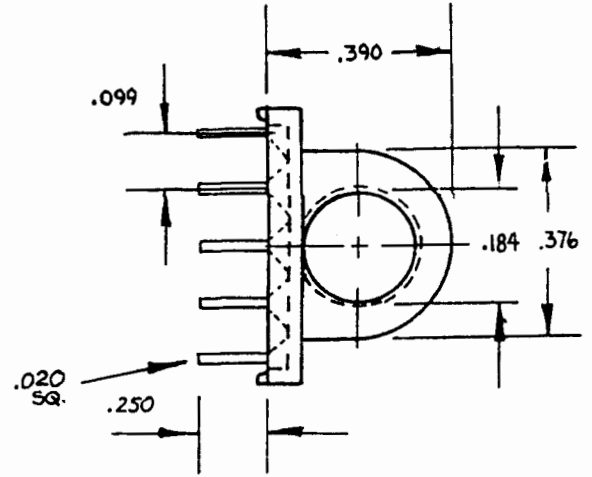
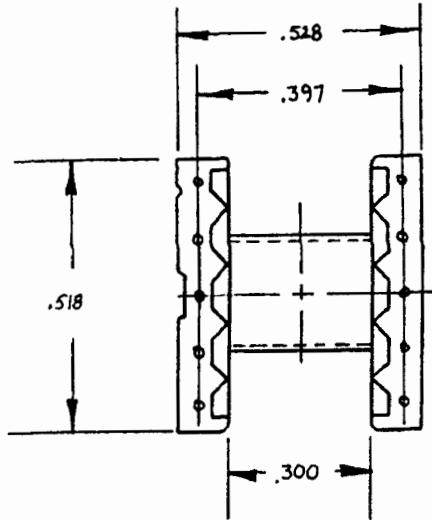
EE 55 x 21

Part #	Flanges
2116	2
2117	3

Suffix	X Dim.	Terminal
-01	1/8	As shown
-02	9/32	

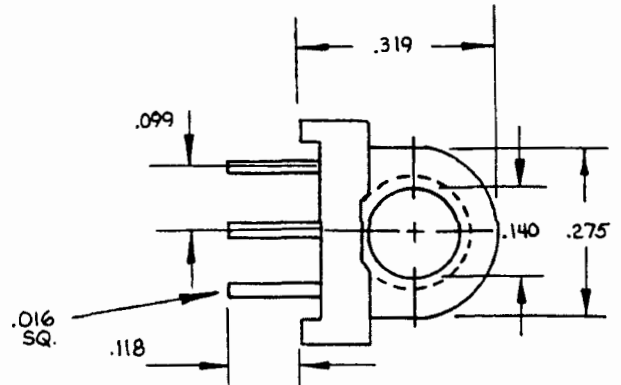
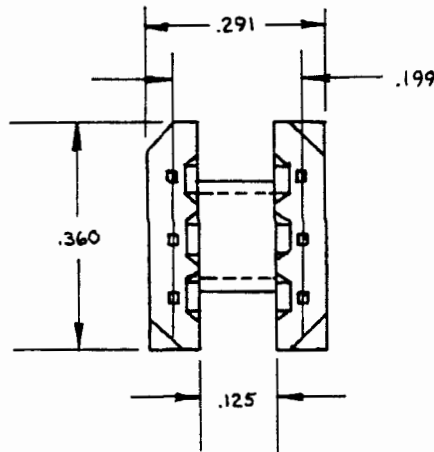
EP13

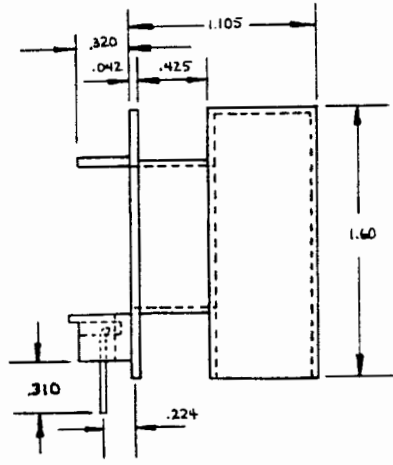
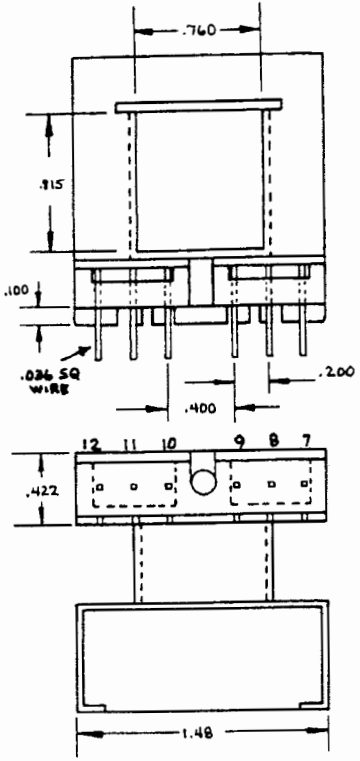
Part #	Flanges
2118	2
2119	3



EP 7

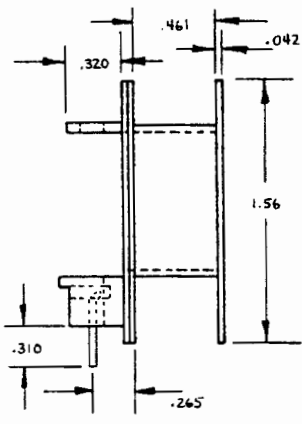
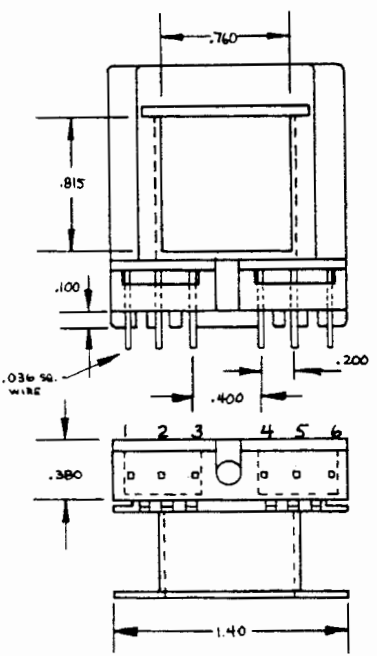
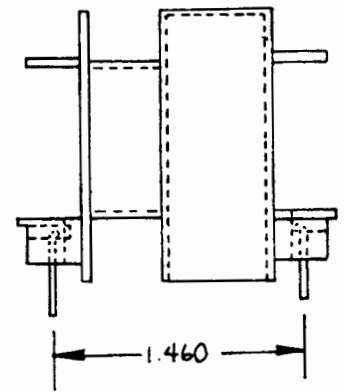
Part # 2121





2901
EI 750 Secondary

Suffix No.	Position
-01	7 8 9 10 11 12
-02	7 9 10 12

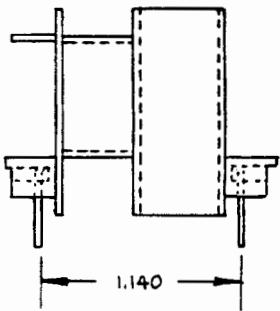
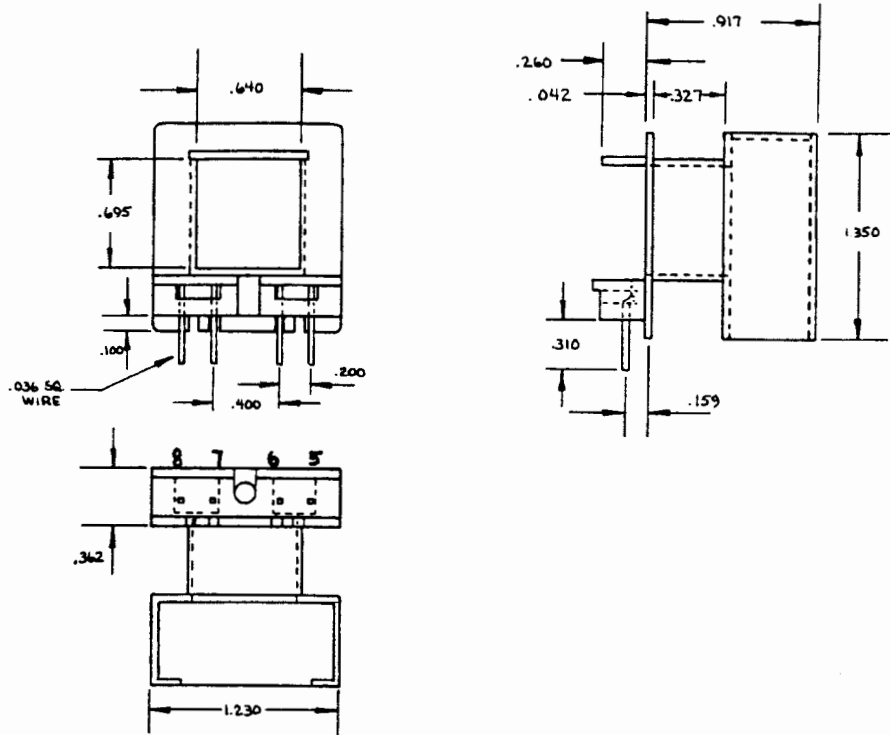


2902
EI 750 Primary

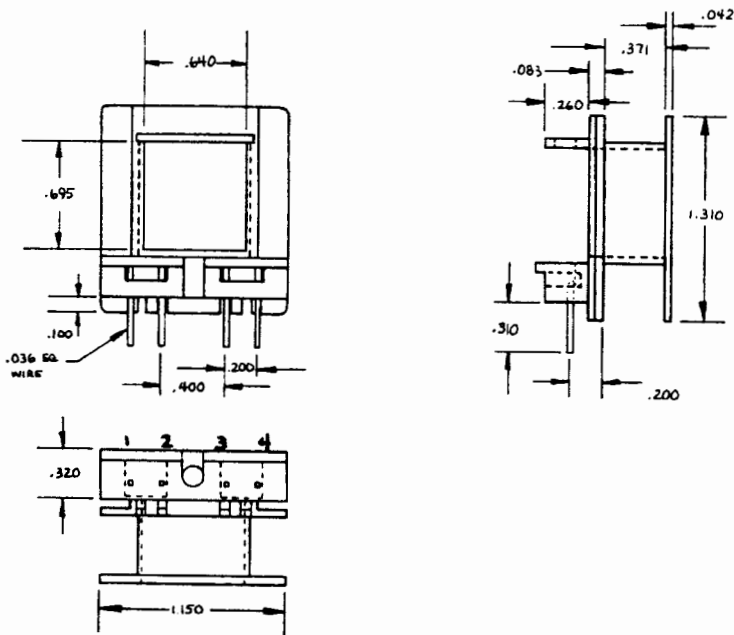
Suffix No.	Position
-01	1 2 3 4 5 6
-02	1 3 4 6

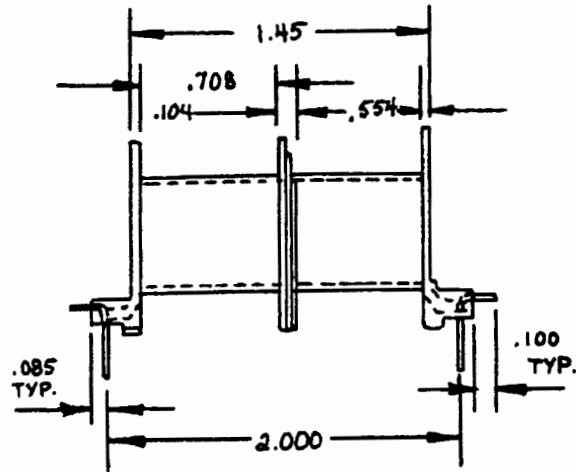
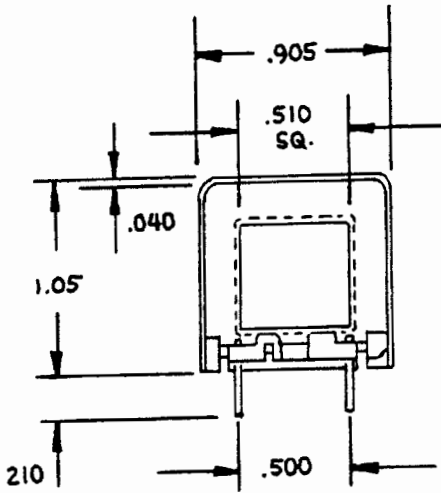
UL, CSA, IEC, and VDE listed as used on PREM® INTERNATIONAL SERIES.

2903
EI 625 Secondary

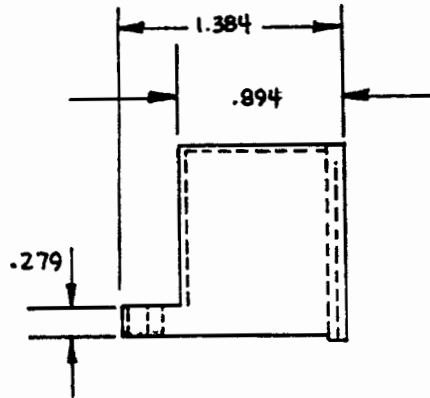
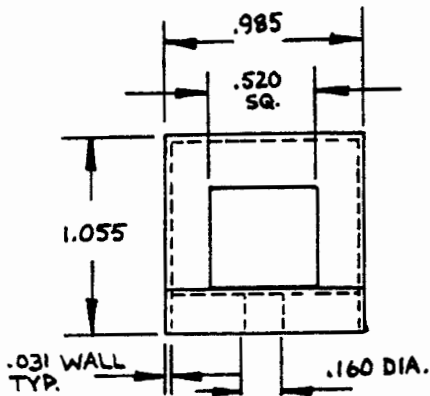
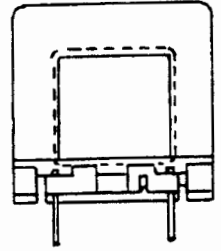


2904
EI 625 Primary

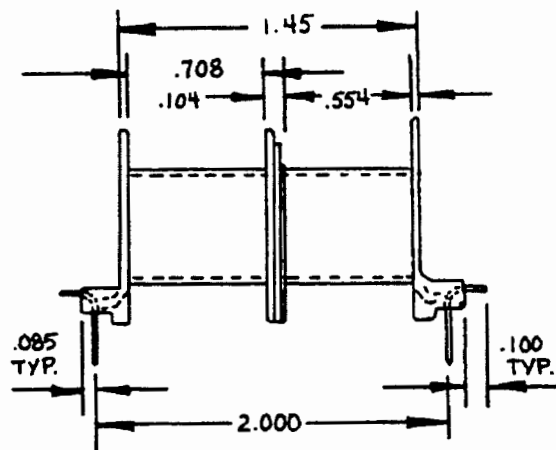
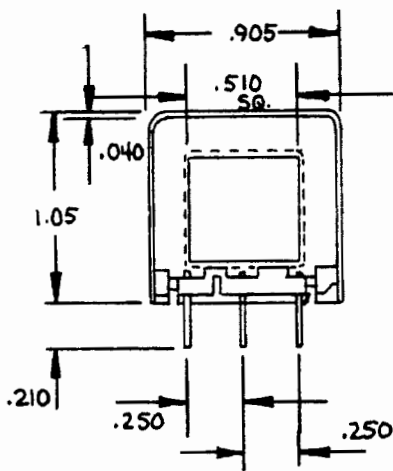
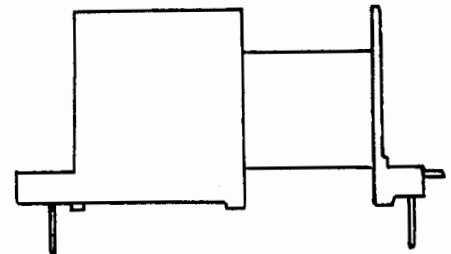




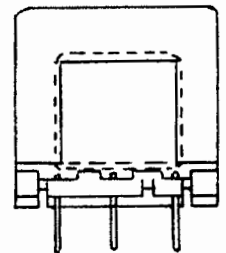
**UI 500
Part #2907**



**Part #2911
Shroud**



**UI 500
Part #2910**

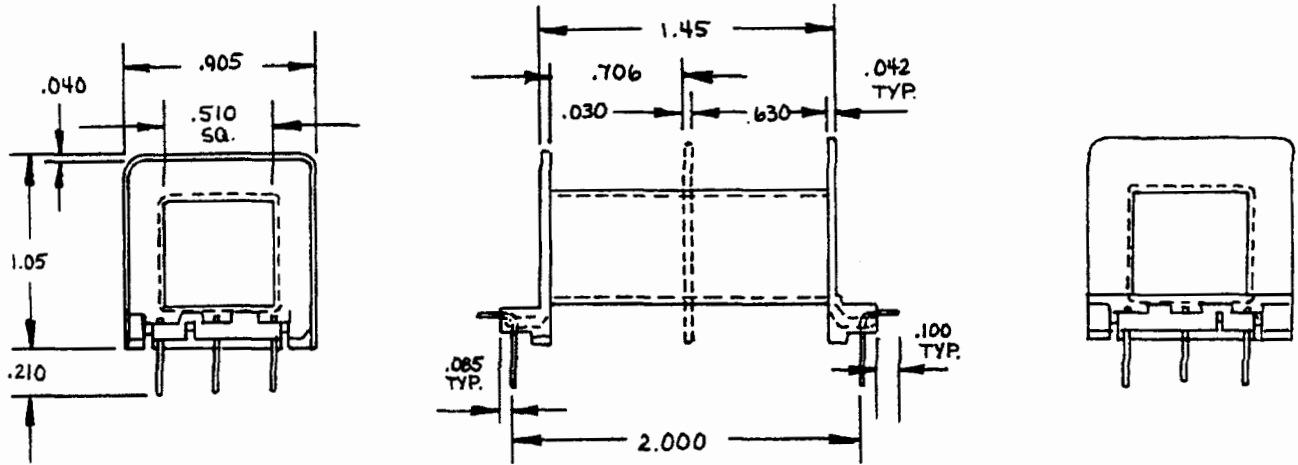


UL and VDE approved as used on PREM[®] INTERNATIONAL SERIES.



UI 500

Part #	Flanges
2908	2
2909	3



UI 500

Part #	Flanges
2905	2
2906	3

